



MARKETING PRODUCT UPDATE

Numatics Introduces 501 Series 3 Station Manifold Blocks

With the addition of a 3 Station Manifold Block to the 501 Series valve platform Numatics offers greater configuration and application options to our best in class valve line. The combination of 3 and 4 station manifold blocks optimizes overall manifold size, minimizing blank station plates while increasing flexibility in designing circuits with multiple pressure zones.

All product features of the 3 and 4 station manifold blocks, Port Size, available fittings, and Z-Board options, are the same. 3 Station Manifold Blocks can be used with all existing 501 Sandwich accessories; however, when choosing a Shut-Off block it must be installed at either the 1st or 2nd station only.



Our DPM configurator will optimize the number of 3 & 4 Station Manifold blocks based upon the total number of Valve stations selected.

For applications requiring Mid Station Supply or the Panel mount plate 4 station manifold kits must be used.

Updated ordering and dimensional information is available either through our DPM Configurator or 501 Series Catalog available at www.numatics.com/501

Attached are copies of the updated How to order charts reflecting the new 3 Station Manifold block kits.

Modified How to Order including 3 & 4 Station Blocks:

How to Order

Manifold Assembly Kits

K 501 A M S4 2 M A00 1 0

Port Type

- H = Metric Thread
- K = Push-In Fittings

Product Series

- 501 = 11 mm Valve

Revision

- A = Initial Release

Product Type

- M = Manifold Sub Base
- Z = Mid Station Supply*

Mounting

- S3 = Manifold Sub Base, 3 Stations, Side Ports, Single Z-Board
- M3 = Manifold Sub Base, 3 Stations, Side Ports, Double Z-Board
- S4 = Manifold Sub Base, 4 Stations, Side Ports, Single Z-Board
- M4 = Manifold Sub Base, 4 Stations, Side Ports, Double Z-Board

*Available with M4 mounting only

Interface

- 1 = Proprietary

Options

- A00 = Standard (No Options)

Wiring Option

- M = Plug-In, Receptacle Assembly

Port Size

- B = M7 (Threaded only)
- D = 4 mm (5/32) (Push-In Fittings only)
- F = 6 mm (Push-In Fittings only)
- 2 = 1/4 (Push-In Fittings only)

Manifold Assembly How to Order

K 501 A V 3 D 2 0 0 V A00

Port Type

- 8 = NPTF
- G = ISO228/1-G
- K = Push-In Fittings

Product Series

- 501 = 11 mm Valve

Revision

- A = Initial Release

Product Type

- V = Valve Manifold Assembly

Electronics

- 3 = G3 Fieldbus Electronics
- J = 25 Pin Sub-D Connector
- M = 37 Pin Sub-D Connector
- Q = 19 Pin Round Connector
- R = 26 Pin Round Connector
- T = Terminal Strip 1-32
- 8 = 580 Series Electronics

Number of Valve Stations

- C = 3 L = 12 T = 20 3 = 28
- D = 4 M = 13 U = 21 4 = 29
- F = 6 N = 14 V = 22 5 = 30
- G = 7 O = 15 W = 23 6 = 31
- H = 8 P = 16 X = 24 7 = 32
- I = 9 Q = 17 Y = 25
- J = 10 R = 18 Z = 26
- K = 11 S = 19 2 = 27

* Port Type '8' + 'G' only available in Port Size 1/8

Options

- A00 = Standard (No Options)
- MUF = Muffler in End Plates
- DRM = DIN Rail Mount
- DWM = DIN Rail with MUF
- 14X = External Pilot Supply from Port # 14
- D12 = (14X) External Pilot Supply from Port # 14 and (MUF) Muffler in End Plates
- D14 = (14X) External Pilot Supply from Port # 14 and (DRM) DIN Rail Mount
- F06 = (14X) External Pilot Supply from Port # 14, (MUF) Muffler in End Plates, and (DRM) DIN Rail Mount

End Plate Style

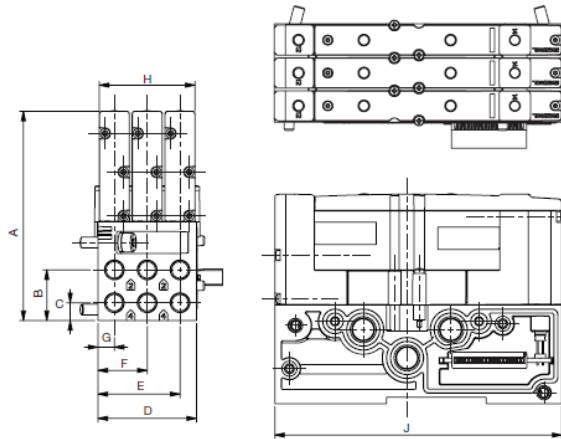
- V = Vertical

Port Size

- 1 = 1/8"
- 2 = 1/4"
- G = 5/16"
- H = 8mm

Dimensions: mm (Inches)

Plug In Valve Mounted 3 Station



A	B	C	D	E	F	G	H	J
76.4	18.5	6.5	36	30	18	6	35	105
(3.008)	(0.728)	(0.26)	(1.42)	(1.18)	(0.71)	(0.236)	(1.38)	(4.13)